



# Sump, Sewage & Effluent Pumps

DuraMAC

GUARDIAN



**A. Y. McDonald Mfg. Co.**

# HOW TO ORDER SUMP PUMPS

Order by Model Number. Example: 5020PUUP

**5**   **020**   **P**   **U**   **UP**

**Series**  
5 - Series

**Horsepower**  
020 - 1/5 HP  
025 - 1/4 HP  
030 - 3/10 HP  
033 - 1/3 HP  
040 - 4/10 HP  
050 - 1/2 HP

**Construction**  
P - Plastic  
C - Cast iron

**Switch Type**  
T - Tethered  
V - Vertical  
U - None/Utility

**Pump Type**  
UP - Utility pump  
SP - Sump pump  
EF - Effluent pump  
SJ - Sewage ejector  
PD - Pedestal pump

**Specials**  
PAC - Simplex system  
K - Sink system  
EZ - EZ install  
25 - 25' Cord  
BLK - Mounting block  
LS - Lake screen filter  
PACSL - Simplex system w/split lid  
BU - Battery backup  
CWB - Clearwater basin  
CSK - Crawl space kit  
PAC24 - Simplex system 24x24  
BUSS - Battery backup side x side  
SDA - Side discharge with alarm

## LOCATING THE SERIAL NUMBER ON THE TAG/PUMP



DATE CODE  
MONTH - YEAR

SERIAL NUMBER IS  
UNIQUE TO EACH PUMP

MODEL - 5025PVSP  
1/4 HP PLASTIC SUMP PUMP

VOLTS	120	HP	1/3
Hz	60	AMPS	3.8
PHASE	1	WATTS	912
DATE CODE	0511	RPM	3450
SERIAL #	92260		
THERMALLY PROTECTED		UL LISTED	

DATE OF SALE / INSTALLATION

1 2 3 4 5 6 7 8 9 10 11 12  
2009 2010 2011 2012 2013

INSTALLER SHOULD  
PUNCH DATES AT  
TIME OF INSTALLATION

# 5020PUUP



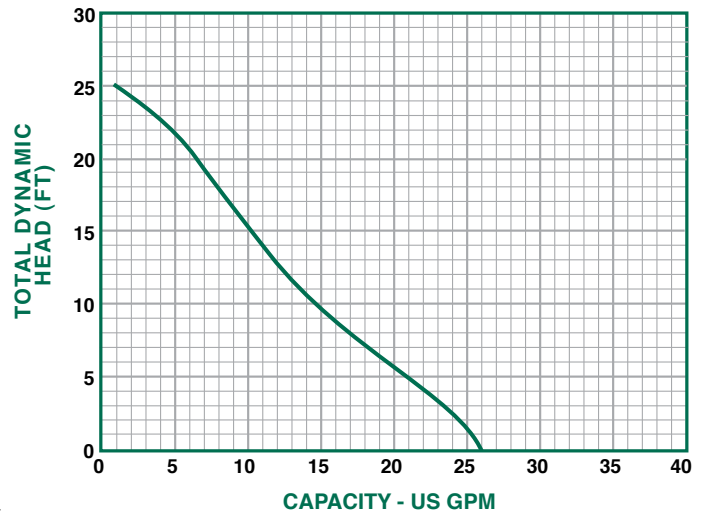
This pump can handle up to 26 gallons per minute. With a tough thermoplastic construction, and sleek design - it allows the pump to fit in a 6" opening.

## FEATURES

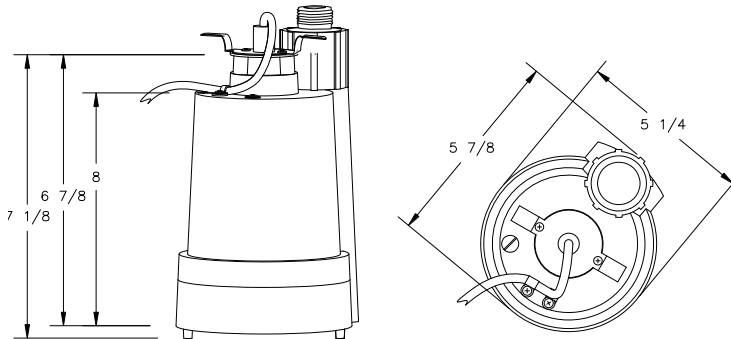
- Split Capacitor Motor - 1/5 HP continuous duty, thermal protected
- Lifts water up to 25' of vertical height
- 10' Power Cord
- 3/4" Garden hose adapter included
- Large 1 1/4" discharge for high capacity pumping



## Utility Pump Performance Curve



## Dimensions



## PERFORMANCE CHART

MODEL	GALLONS PER MINUTE IN FEET					
	0	5	10	15	20	25
5020PUUP	26	21	14	10	7	1

## SUBMERSIBLE PLASTIC UTILITY PUMP - 1 1/4" DISCHARGE

Model	HP	Volts	Hz	Amps	Construction	Discharge Size	Cord Length	Solids Handling	RPM	Phase
5020PUUP	1/5	120	60	3.6	Thermoplastic	1 1/4"	10'	1/8"	3450	1

**A.Y. McDONALD MFG. CO.**

# 5025PTSP

With a tough thermoplastic construction design, this pump can handle up to 30 gallons per minute.

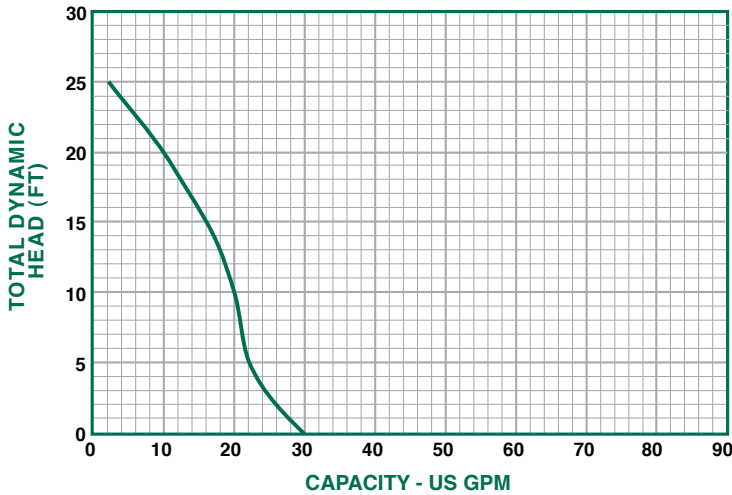
## FEATURES

- Split Capacitor Motor - 1/4 HP continuous duty, thermal protected
- Lifts water up to 25' of vertical height
- 10' power cord, 25' cords are available for an additional charge
- Large 1 1/2" discharge for high capacity pumping

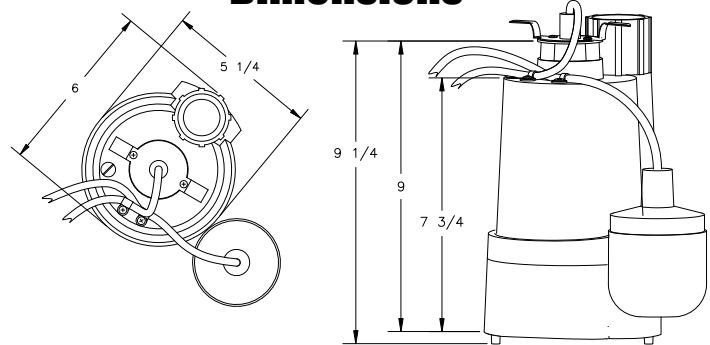


See Pumps & Accessories Price List for Limited Warranty details.

## Sump Pump Performance Curve



## Dimensions



### PERFORMANCE CHART

MODEL	GALLONS PER MINUTE IN FEET					
	0	5	10	15	20	25
5025PTSP	30	22	20	16	9	2

### SUBMERSIBLE PLASTIC SUMP PUMP - 1 1/2" DISCHARGE

Model	HP	Volts	Hz	Amps	Construction	Discharge Size	Cord Length	Solids Handling	RPM	Phase
5025PTSP	1/4	120	60	3.8	Thermoplastic	1 1/2"	10'	1/8"	3450	1

**A.Y. McDONALD MFG. CO.**

800.292.2737 FAX 800.832.9296 pumps@aymcdonald.com aymcdonald.com

# 5025PVSP



With a tough thermoplastic construction design, this pump can handle up to 30 gallons per minute.

**FEATURES**

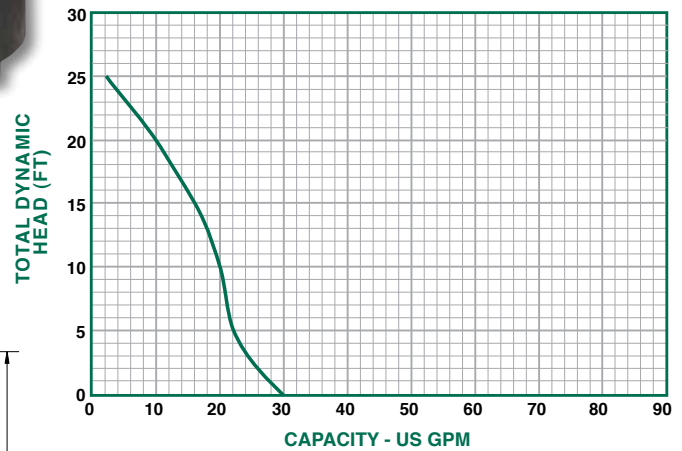
- Split Capacitor Motor - 1/4 HP continuous duty, thermal protected
- Lifts water up to 25' of vertical height
- 10' power cord, 25' cords are available for an additional charge
- Large 1 1/2" discharge for high capacity pumping



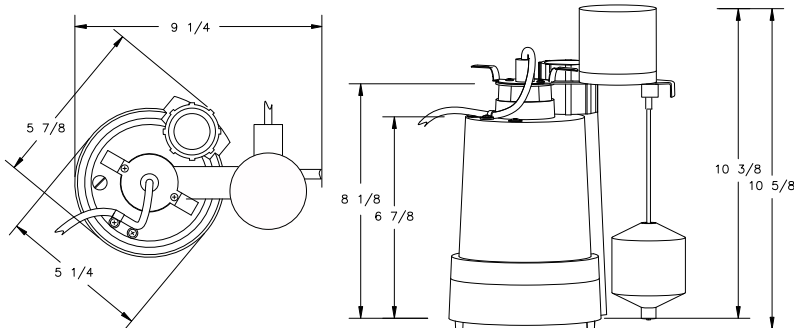
See Pumps & Accessories Price List for Limited Warranty details.



## Sump Pump Performance Curve



## Dimensions



**PERFORMANCE CHART**

MODEL	GALLONS PER MINUTE IN FEET					
	0	5	10	15	20	25
5025PVSP	30	22	20	16	9	2

**SUBMERSIBLE PLASTIC SUMP PUMP - 1 1/2" DISCHARGE**

Model	HP	Volts	Hz	Amps	Construction	Discharge Size	Cord Length	Solids Handling	RPM	Phase
5025PVSP	1/4	120	60	3.8	Thermoplastic	1 1/2"	10'	1/8"	3450	1

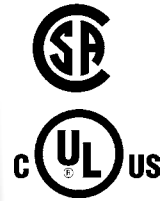
**A.Y. McDONALD MFG. CO.**

# 5030CVSP 5030CUP 5030CUP25

With a rugged cast iron construction design, this pump can handle up to 46 gallons per minute.

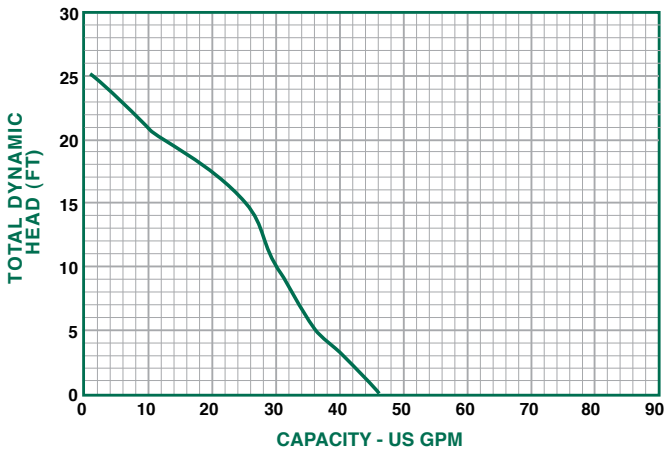
## FEATURES

- Split Capacitor Motor - 3/10 HP continuous duty, thermal protected
- Lifts water up to 25' of vertical height
- 10' power cord, 25' cords are available for an additional charge
- Large 1 1/2" discharge for high capacity pumping
- Also available without a switch



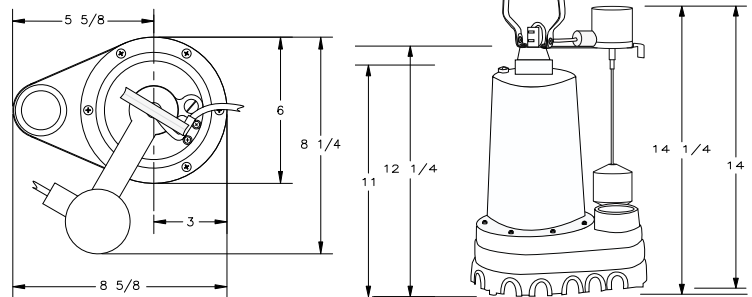
See Pumps & Accessories Price List for Limited Warranty details.

## Sump Pump Performance Curve



PERFORMANCE CHART						
MODEL	GALLONS PER MINUTE IN FEET					
5030CUP	0	5	10	15	20	25
5030CUP25	46	36	30	25	12	1
5030CVSP						

## Dimensions



## SUBMERSIBLE CAST IRON SUMP PUMP - 1 1/2" DISCHARGE

Model	HP	Volts	Hz	Amps	Construction	Discharge Size	Cord Length	Solids Handling	RPM	Phase
5030CVSP	3/10	120	60	4.1	Cast Iron	1 1/2"	10'	3/8"	3450	1
5030CUP (NO SWITCH)	3/10	120	60	4.1	Cast Iron	1 1/2"	10'	3/8"	3450	1
5030CUP25 (NO SWITCH)	3/10	120	60	4.1	Cast Iron	1 1/2"	25'	3/8"	3450	1

A.Y. McDONALD MFG. CO.

800.292.2737 FAX 800.832.9296 pumps@aymcdonald.com aymcdonald.com

# 5030CTSP

With a rugged cast iron construction design, this pump can handle up to 46 gallons per minute.

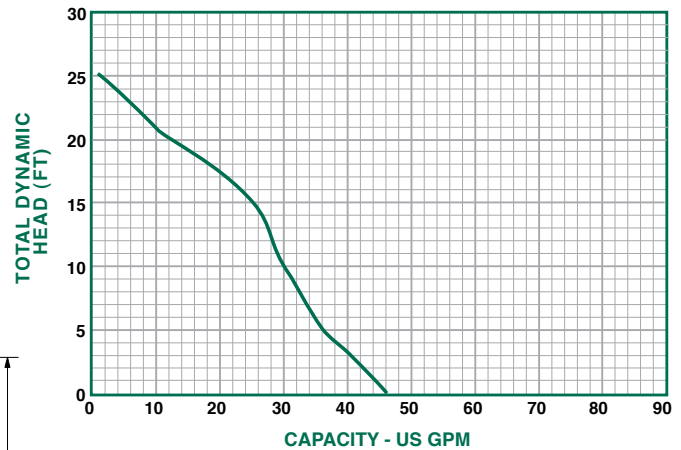
## FEATURES

- Split Capacitor Motor - 3/10 HP continuous duty, thermal protected
- Lifts water up to 25' of vertical height
- 10' power cord, 25' cords are available for an additional charge
- Large 1 1/2" discharge for high capacity pumping

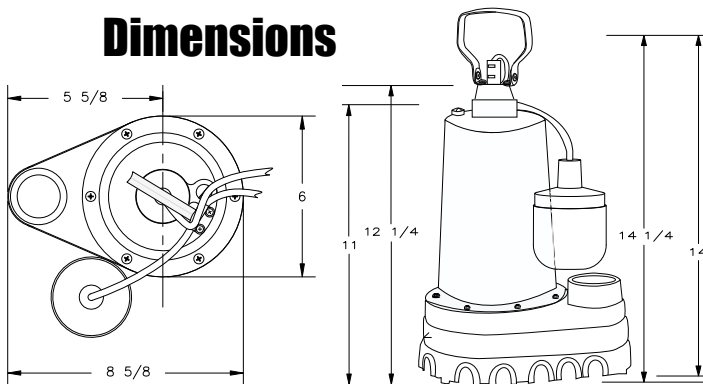


See Pumps & Accessories Price List for Limited Warranty details.

## Sump Pump Performance Curve



## Dimensions



## PERFORMANCE CHART

MODEL	GALLONS PER MINUTE IN FEET					
	0	5	10	15	20	25
5030CTSP	46	36	30	25	12	1

## SUBMERSIBLE CAST IRON SUMP PUMP - 1 1/2" DISCHARGE

Model	HP	Volts	Hz	Amps	Construction	Discharge Size	Cord Length	Solids Handling	RPM	Phase
5030CTSP	3/10	120	60	4.1	Cast Iron	1 1/2"	10'	3/8"	3450	1

**A.Y. McDONALD MFG. CO.**

# 5033PVSP

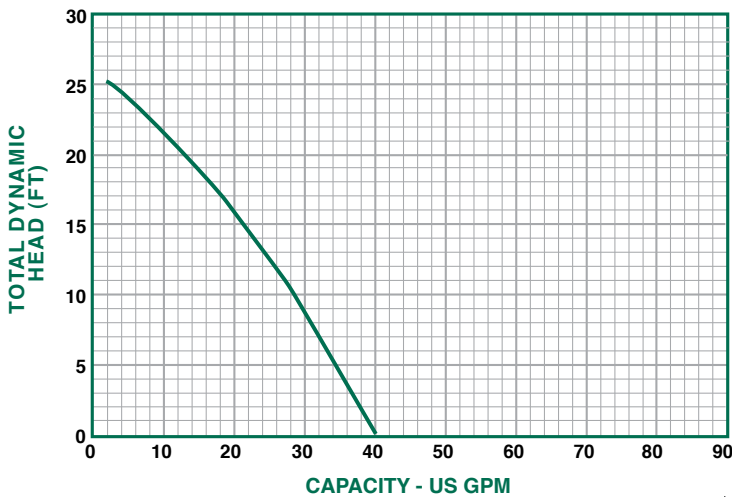
With a tough thermoplastic construction design, this pump can handle up to 40 gallons per minute.

## FEATURES

- Split Capacitor Motor - 1/3 HP continuous duty, thermal protected
- Lifts water up to 25' of vertical height
- 10' power cord, 25' cords are available for an additional charge
- Large 1 1/2" discharge for high capacity pumping

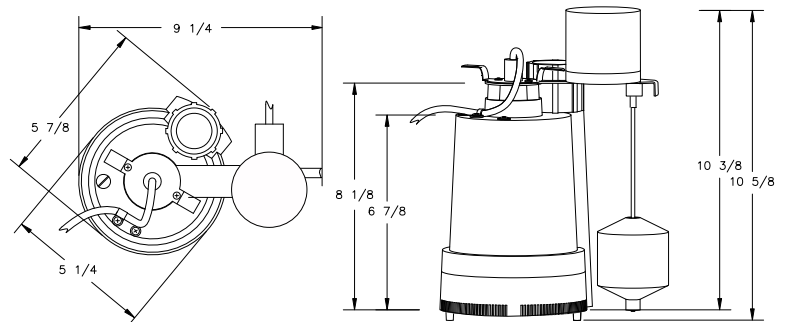


## Sump Pump Performance Curve



See Pumps & Accessories Price List for Limited Warranty details.

## Dimensions



PERFORMANCE CHART						
MODEL	GALLONS PER MINUTE IN FEET					
	0	5	10	15	20	25
5033PVSP	40	34	28	22	12	2

SUBMERSIBLE PLASTIC SUMP PUMP - 1 1/2" DISCHARGE										
Model	HP	Volts	Hz	Amps	Construction	Discharge Size	Cord Length	Solids Handling	RPM	Phase
5033PVSP	1/3	120	60	4.1	Thermoplastic	1 1/2"	10'	1/8"	3450	1

**A.Y. McDONALD MFG. CO.**

800.292.2737 FAX 800.832.9296 pumps@aymcdonald.com aymcdonald.com



# 5033CVSP 5033CUSP 5033CUSP25

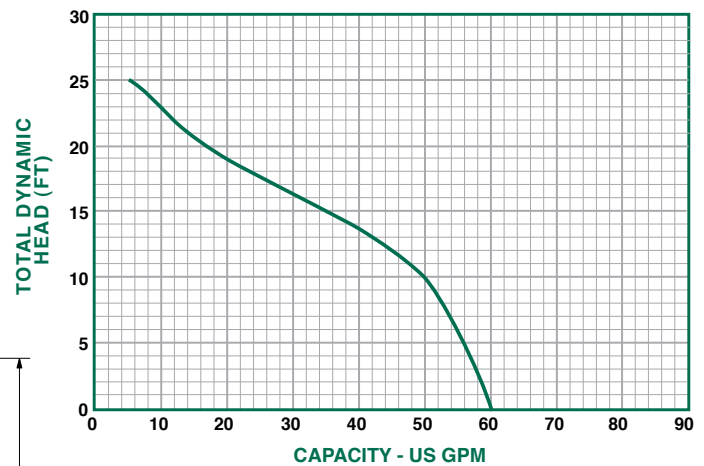
With a rugged cast iron construction design, this pump can handle up to 60 gallons per minute.

### FEATURES

- Split Capacitor Motor - 1/3 HP continuous duty, thermal protected
- Lifts water up to 25' of vertical height
- 10' power cord, 25' cords are available for an additional charge
- Large 1 1/2" discharge for high capacity pumping
- Also available without a switch



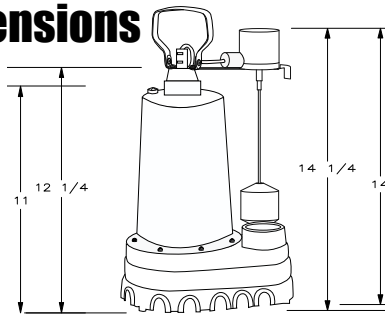
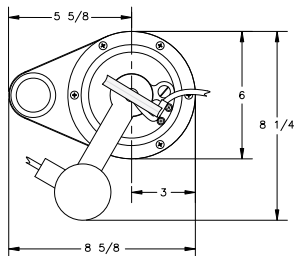
### Sump Pump Performance Curve



### PERFORMANCE CHART

MODEL	GALLONS PER MINUTE IN FEET					
	0	5	10	15	20	25
5033CUSP						
5033CUSP25						
5033CVSP	60	56	50	35	15	6

### Dimensions



See Pumps & Accessories Price List for Limited Warranty details.

### SUBMERSIBLE CAST IRON SUMP PUMP - 1 1/2" DISCHARGE

Model	HP	Volts	Hz	Amps	Construction	Discharge Size	Cord Length	Solids Handling	RPM	Phase
5033CVSP	1/3	120	60	5.9	Cast Iron	1 1/2"	10'	1/2"	3450	1
5033CUSP (NO SWITCH)	1/3	120	60	5.9	Cast Iron	1 1/2"	10'	1/2"	3450	1
5033CUSP25 (NO SWITCH)	1/3	120	60	5.9	Cast Iron	1 1/2"	25'	1/2"	3450	1

**A.Y. McDONALD MFG. CO.**

# 5033CVSPEZ

This pump can handle up to 60 gallons per minute. Rugged cast iron pump construction with a plastic base. It is preplumbed with a check valve and discharge pipe. Easy to install - everything you need in one box.

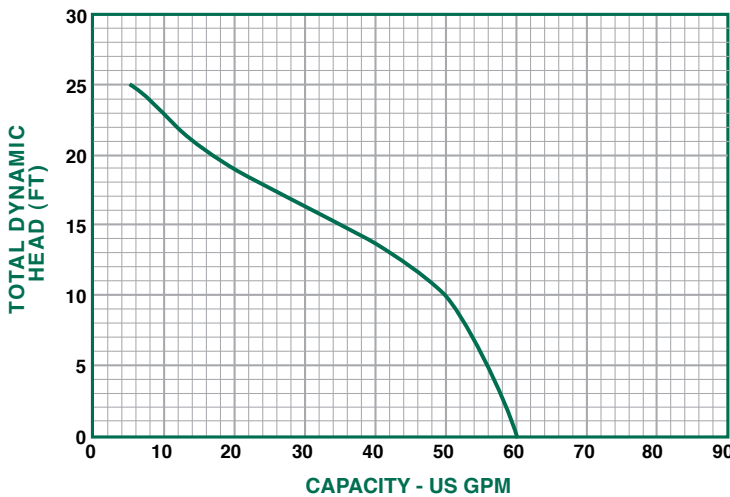
## FEATURES

- Pump is mounted to the base to prevent clogging and switch malfunction
- Split Capacitor Motor - 1/3 HP continuous duty, thermal protected
- Lifts water up to 25' of vertical height
- 10' power cord, 25' cords are available for an additional charge
- Large 1 1/2" discharge for high capacity pumping



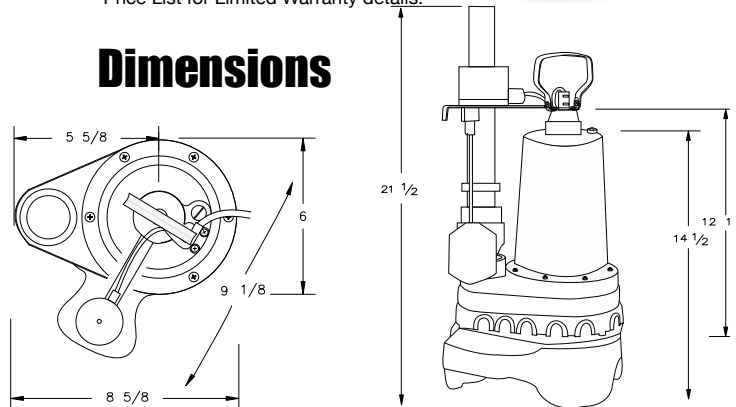
See Pumps & Accessories Price List for Limited Warranty details.

## Sump Pump Performance Curve



PERFORMANCE CHART						
MODEL	GALLONS PER MINUTE IN FEET					
	0	5	10	15	20	25
5033CVSP	60	56	50	35	15	6

## Dimensions



SUBMERSIBLE CAST IRON SUMP PUMP - 1 1/2" DISCHARGE										
Model	HP	Volts	Hz	Amps	Construction	Discharge Size	Cord Length	Solids Handling	RPM	Phase
5033CVSP	1/3	120	60	5.9	Cast Iron	1 1/2"	10'	1/2"	3450	1

# 5050CVSP 5050CUSP25

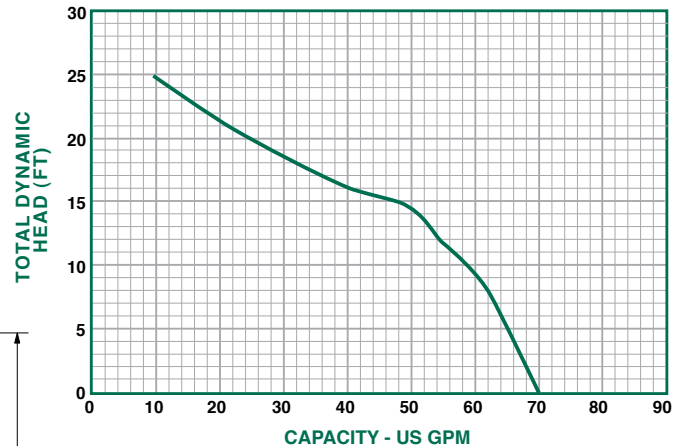


With a rugged cast iron construction design, this pump can handle up to 70 gallons per minute.

**FEATURES**

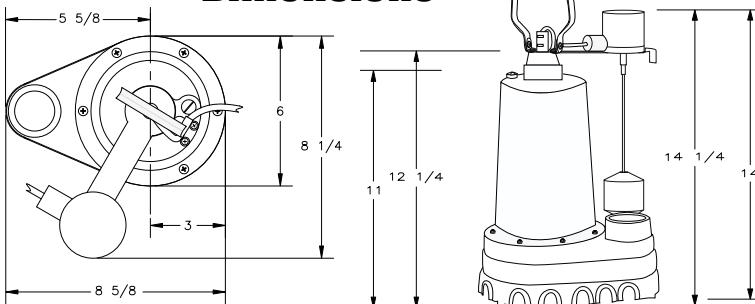
- Split Capacitor Motor - 1/2 HP continuous duty, thermal protected
- Lifts water up to 25' of vertical height
- 10' power cord, 25' cords are available at an additional charge
- Large 1 1/2" discharge for high capacity pumping
- Also available without a switch

## Sump Pump Performance Curve



See Pumps & Accessories Price List for Limited Warranty details.

### Dimensions



PERFORMANCE CHART						
MODEL	GALLONS PER MINUTE IN FEET					
5050CUSP25	0	5	10	15	20	25
5050CVSP	70	66	58	48	25	10

### SUBMERSIBLE CAST IRON SUMP PUMP - 1 1/2" DISCHARGE

Model	HP	Volts	Hz	Amps	Construction	Discharge Size	Cord Length	Solids Handling	RPM	Phase
5050CVSP	1/2	120	60	7.6	Cast Iron	1 1/2"	10'	1/2"	3450	1
5050CUSP25 (NO SWITCH)	1/2	120	60	7.6	Cast Iron	1 1/2"	25'	1/2"	3450	1

**A.Y. McDONALD MFG. CO.**

# 5033PVPD

This pump was designed for use in sump basins 12" or larger. It also has a thermoplastic base and will handle liquids up to 180°F.

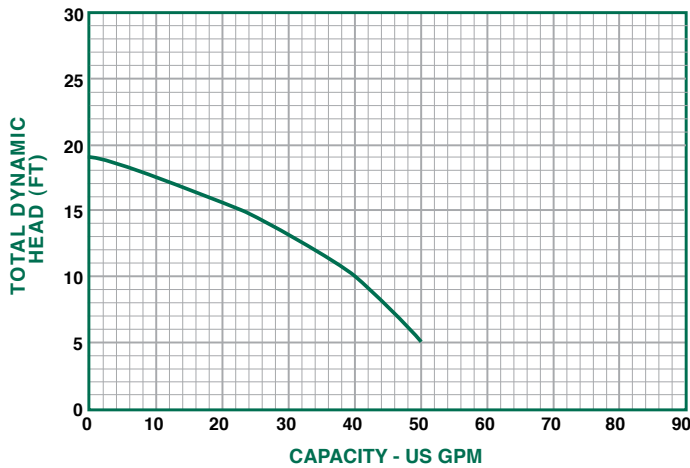
## FEATURES

- Fully adjustable automatic switch
- Metal switch arm for strength and durability
- 1 1/4" discharge for high capacity pumping
- Non-corrosive stainless steel drive shaft

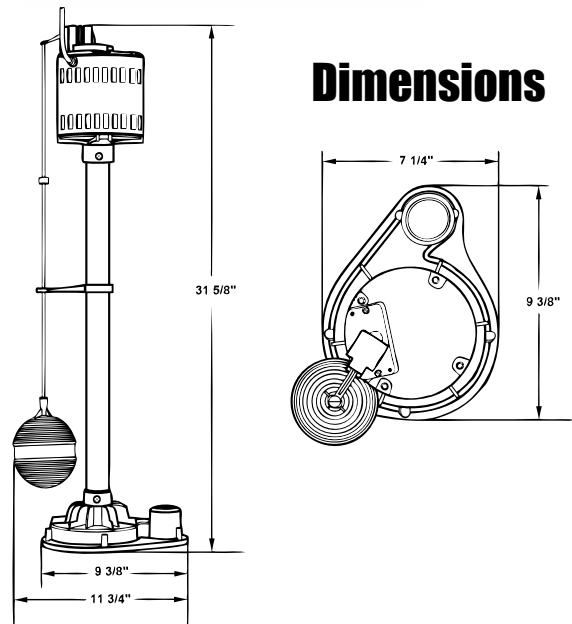


See Pumps & Accessories Price List for Limited Warranty details.

## Sump Pump Performance Curve



## Dimensions



PERFORMANCE CHART					
MODEL	GALLONS PER MINUTE IN FEET				
	5	10	15	18	19
5033PVPD	50	40	23	7	0

SUBMERSIBLE THERMOPLASTIC PEDESTAL SUMP PUMP - 1 1/4" DISCHARGE							
Model	HP	Amps	Base Material	Discharge Size	Column Material	Impeller Material	Cord Length
5033PVPD	1/3	2.76	Thermoplastic	1 1/4"	Thermoplastic	Stainless Steel	10'



See Pumps & Accessories Price List for Limited Warranty details.

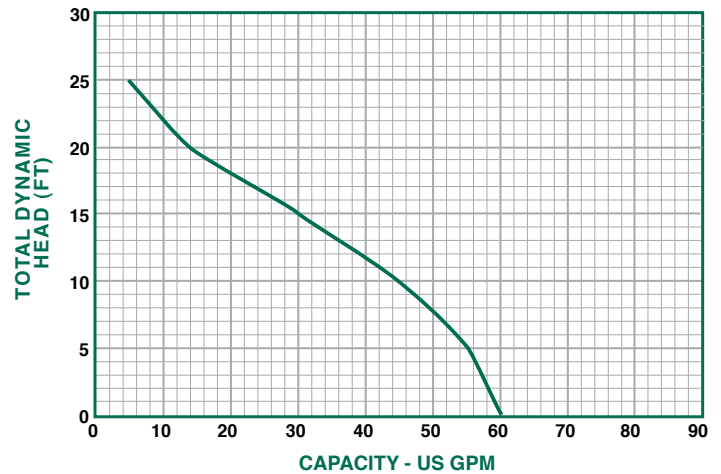
# 5050CVPD

This pump was designed for use in sump basins 12" or larger. It also has a cast iron base construction and will handle liquids up to 180°F.

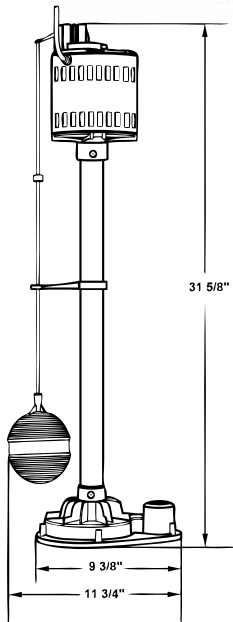
**FEATURES**

- Fully adjustable automatic switch
- Metal switch arm for strength and durability
- 1 1/2" discharge for high capacity pumping
- Non-corrosive stainless steel drive shaft, impeller & float ball

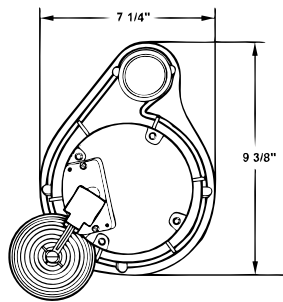
## Sump Pump Performance Curve



PERFORMANCE CHART						
MODEL	GALLONS PER MINUTE IN FEET					
	0	5	10	15	20	25
5050CVPD	60	55	45	30	12	5



## Dimensions



### SUBMERSIBLE CAST IRON PEDESTAL SUMP PUMP - 1 1/2" DISCHARGE

Model	HP	Amps	Base Material	Discharge Size	Column Material	Impeller Material	Cord Length
5050CVPD	1/2	3.06	Cast Iron	1 1/2"	Stainless Steel	Stainless Steel	10'

# 5030CVSPK

This pre-assembled sink drain system has a six gallon capacity basin. It is great for laundry tubs, washing machines, wet bars, and dehumidifiers. For easy installation it is pre-assembled.

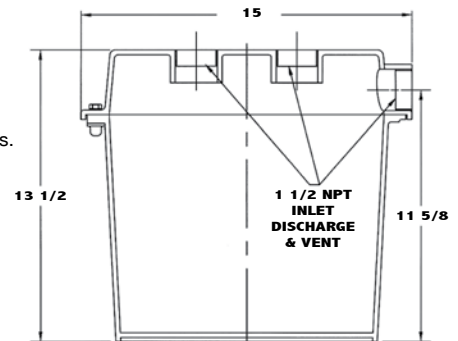
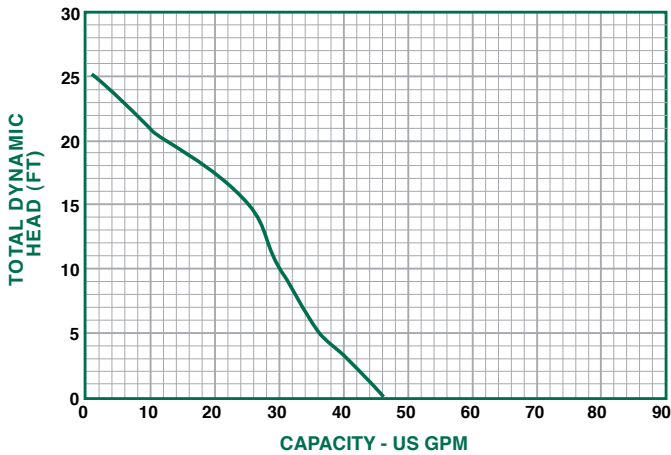
## FEATURES

- 5030CVSP 3/10 HP cast iron sump pump with vertical switch
- 15" x 13.5" durable structural foam basin with 1 1/2" FNPT inlet
- 1 1/2" Full Flow Check Valve with Rubber Boots
- Structural foam cover with 1 1/2" FNPT discharge and vent

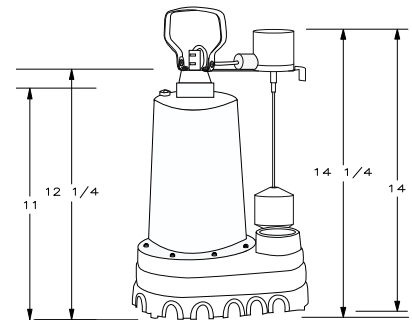
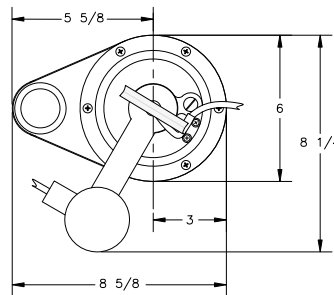


See Pumps & Accessories Price List for Limited Warranty details.

## Sump Pump Performance Curve



## Dimensions



### PERFORMANCE CHART

MODEL	GALLONS PER MINUTE IN FEET					
	0	5	10	15	20	25
5030CVSP	46	36	30	25	12	1

### SUBMERSIBLE CAST IRON SUMP PUMP - 1 1/2" DISCHARGE

Model	HP	Volts	Hz	Amps	Construction	Discharge Size	Cord Length	Solids Handling	RPM	Phase
5030CVSP	3/10	120	60	4.1	Cast Iron	1 1/2"	10'	3/8"	3450	1



# 5030CVSPESK

With pre-drilled holes in the basin, this sump pump kit can be used for pumping water out of crawl spaces. The kit comes with everything pictured here.

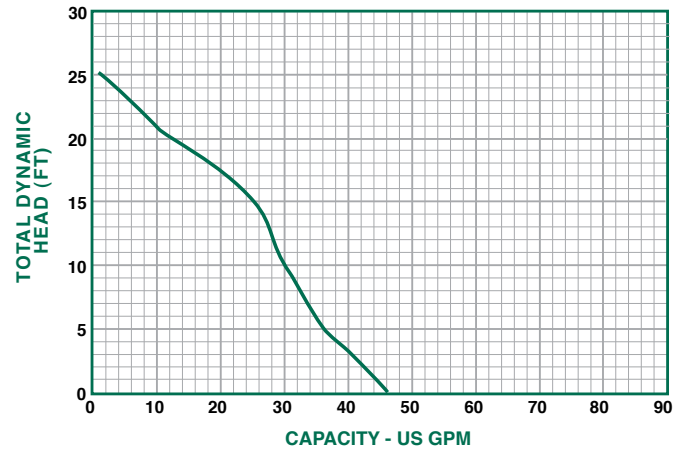
### FEATURES

- 5030CVSP 3/10 HP cast iron sump pump with vertical float switch
- 18.25" x 17.25" Poly basin with slotted cover
- 24' hose - 1 1/4"
- 1.5" x 1.25" Hose adaptor with stainless steel clamp

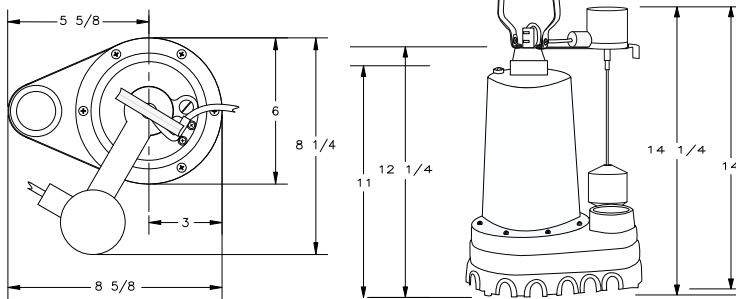
**5**  
**YEAR**  
**LIMITED**  
**WARRANTY**

See Pumps & Accessories Price List for Limited Warranty details.

### Sump Pump Performance Curve



### Dimensions



### PERFORMANCE CHART

MODEL	GALLONS PER MINUTE IN FEET					
	0	5	10	15	20	25
5030CVSP	46	36	30	25	12	1

### SUBMERSIBLE CAST IRON SUMP PUMP - 1 1/2" DISCHARGE

Model	HP	Volts	Hz	Amps	Construction	Discharge Size	Cord Length	Solids Handling	RPM	Phase
5030CVSP	3/10	120	60	4.1	Cast Iron	1 1/2"	10'	3/8"	3450	1

**A.Y. McDONALD MFG. CO.**

# 5025PTSPCW

This pre-assembled clear water basin package would be great for new home construction that requires sump pump and basin to be installed.

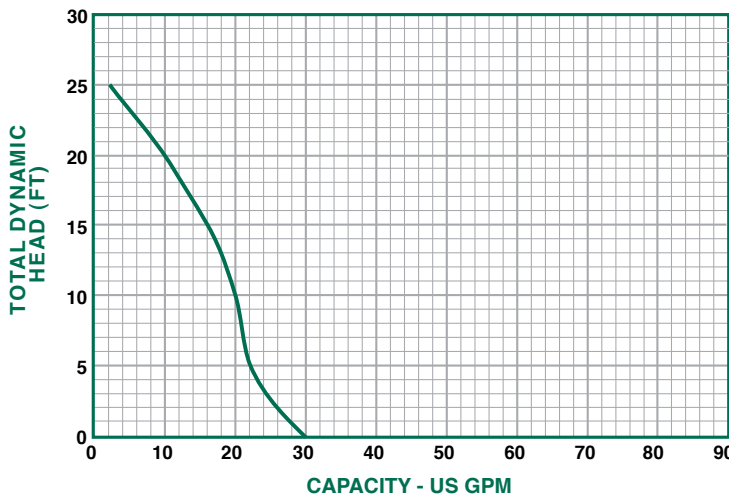
## FEATURES

- 5025PTSP 1/4 HP Thermoplastic sump pump with tethered float switch
- 18" x 24" Structural foam basin with slotted cover
- 1 1/2" Full flow check valve with rubber boots
- 2' 1 1/2" PVC pipe



See Pumps & Accessories Price List for Limited Warranty details.

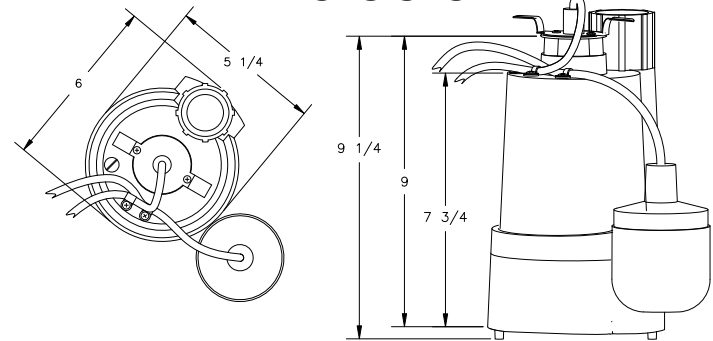
## Sump Pump Performance Curve



### PERFORMANCE CHART

MODEL	GALLONS PER MINUTE IN FEET					
	0	5	10	15	20	25
5025PTSP	30	22	20	16	9	2

## Dimensions



### SUBMERSIBLE PLASTIC SUMP PUMP - 1 1/2" DISCHARGE

Model	HP	Volts	Hz	Amps	Construction	Discharge Size	Cord Length	Solids Handling	RPM	Phase
5025PTSP	1/4	120	60	3.8	Thermoplastic	1 1/2"	10'	1/8"	3450	1





See Pumps & Accessories Price List for Limited Warranty details.

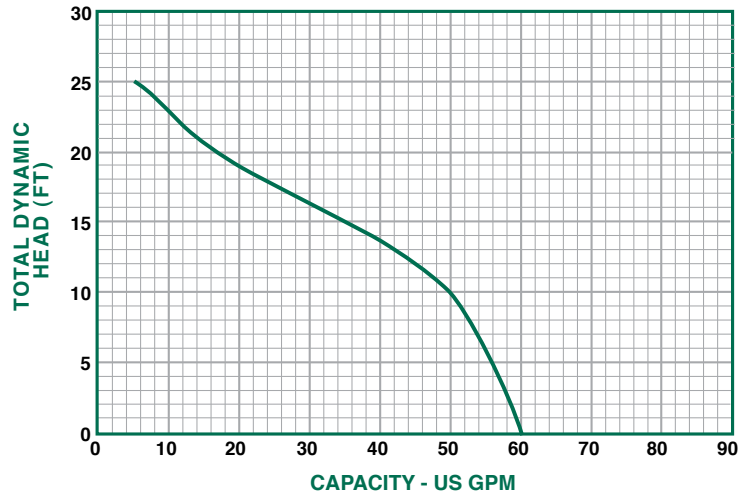
# 5033CUEF 5033CTEF25

With a rugged cast iron construction design, this pump can handle up to 60 gallons per minute.

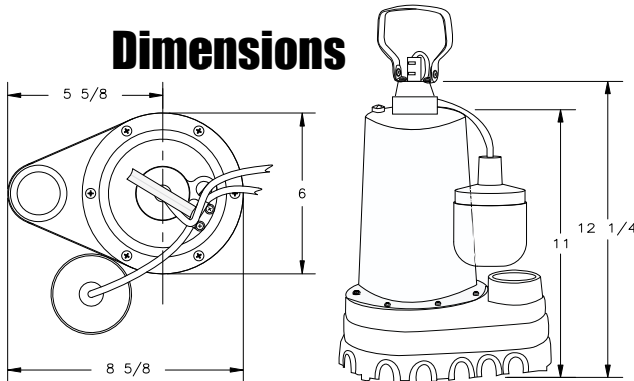
### FEATURES

- Split Capacitor Motor - 1/3 HP continuous duty, thermal protected
- Lifts water up to 25' of vertical height
- 10' power cord, 25' cords are also available for an additional charge
- Discharge - Large 1 1/2" discharge for high capacity pumping
- Also available without a switch

### Effluent Pump Performance Curve



### Dimensions



### PERFORMANCE CHART

MODEL	GALLONS PER MINUTE IN FEET					
	0	5	10	15	20	25
5033CUEF	0	5	10	15	20	25
5033CTEF25	60	56	50	35	15	6

### SUBMERSIBLE CAST IRON EFFLUENT PUMP - 1 1/2" DISCHARGE

Model	HP	Volts	Hz	Amps	Construction	Discharge Size	Cord Length	Solids Handling	RPM	Phase
5033CUEF (NO SWITCH)	1/3	120	60	5.9	Cast Iron	1 1/2"	10'	5/8"	3450	1
5033CTEF25	1/3	120	60	5.9	Cast Iron	1 1/2"	25'	5/8"	3450	1

**A.Y. McDONALD MFG. CO.**

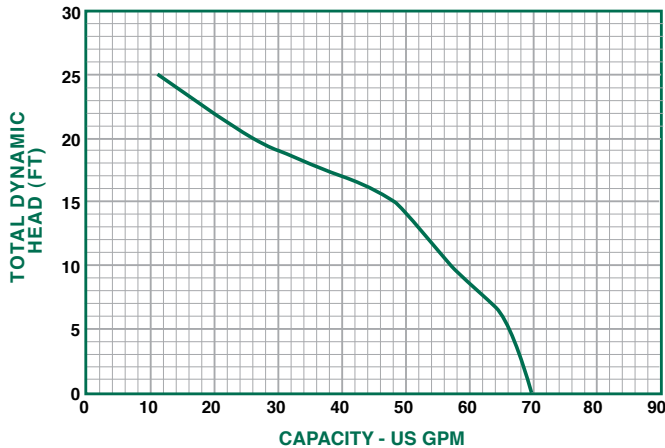
# 5050CUEF 5050CUEF25 5050CTEF 5050CTEF25

With a rugged cast iron construction design, this pump can handle up to 70 gallons per minute.

### FEATURES

- Split Capacitor Motor - 1/2 HP continuous duty, thermal protected
- Lifts water up to 25' of vertical height
- 10' power cord
- Available with or without tethered switch
- Discharge - Handles 5/8" solids
- Cast aluminum, non-clogging Vortex impeller

### Effluent Pump Performance Curve



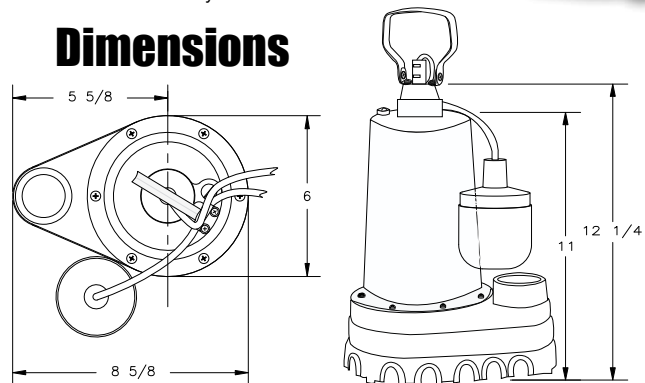
PERFORMANCE CHART						
MODEL	GALLONS PER MINUTE IN FEET					
5050CUEF	0	5	10	15	20	25
5050CUEF25	70	66	58	48	25	10

SUBMERSIBLE CAST IRON EFFLUENT PUMP - 1 1/2" DISCHARGE										
Model	HP	Volts	Hz	Amps	Construction	Discharge Size	Cord Length	Solids Handling	RPM	Phase
5050CUEF (NO SWITCH)	1/2	120	60	7.6	Cast Iron	1 1/2"	10'	5/8"	3450	1
5050CUEF25 (NO SWITCH)	1/2	120	60	7.6	Cast Iron	1 1/2"	25'	5/8"	3450	1
5050CTEF	1/2	120	60	7.6	Cast Iron	1 1/2"	10'	5/8"	3450	1
5050CTEF25	1/2	120	60	7.6	Cast Iron	1 1/2"	25'	5/8"	3450	1



See Pumps & Accessories Price List for Limited Warranty details.

### Dimensions





See Pumps & Accessories  
Price List for Limited Warranty details.

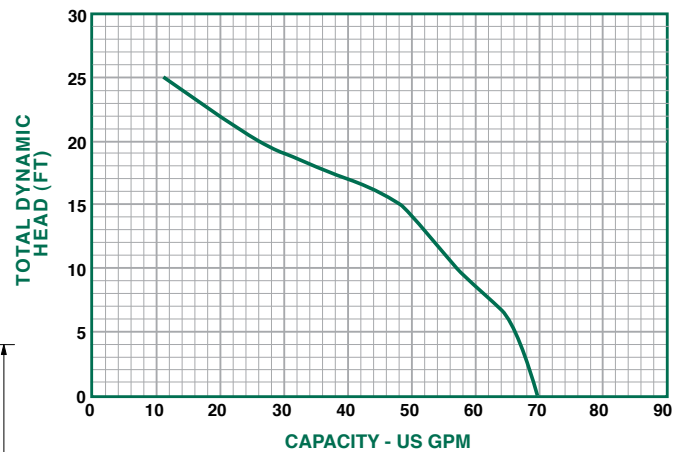
# 5050CVEF

With a rugged cast iron construction design, this pump can handle up to 70 gallons per minute.

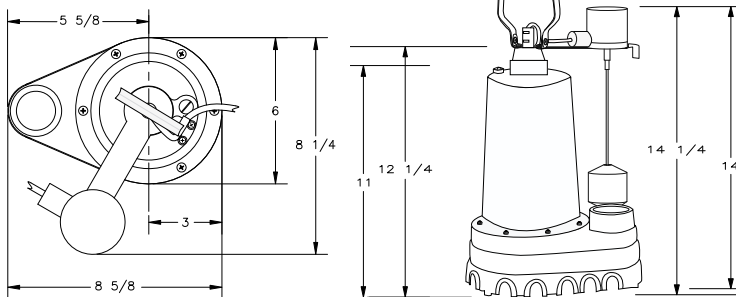
## FEATURES

- Split Capacitor Motor - 1/2 HP continuous duty, thermal protected
- Lifts water up to 25' of vertical height
- 10' power cord
- Available with or without tethered switch
- Discharge - Handles 5/8" solids
- Cast aluminum, non-clogging Vortex impeller

## Effluent Pump Performance Curve



## Dimensions



PERFORMANCE CHART						
MODEL	GALLONS PER MINUTE IN FEET					
	0	5	10	15	20	25
5050CVEF	70	66	58	48	25	10

## SUBMERSIBLE CAST IRON EFFLUENT PUMP - 1 1/2" DISCHARGE

Model	HP	Volts	Hz	Amps	Construction	Discharge Size	Cord Length	Solids Handling	RPM	Phase
5050CVEF	1/2	120	60	7.6	Cast Iron	1 1/2"	10'	5/8"	3450	1

**A.Y. McDONALD MFG. CO.**

# 5050CUSJ 5050CVSJ

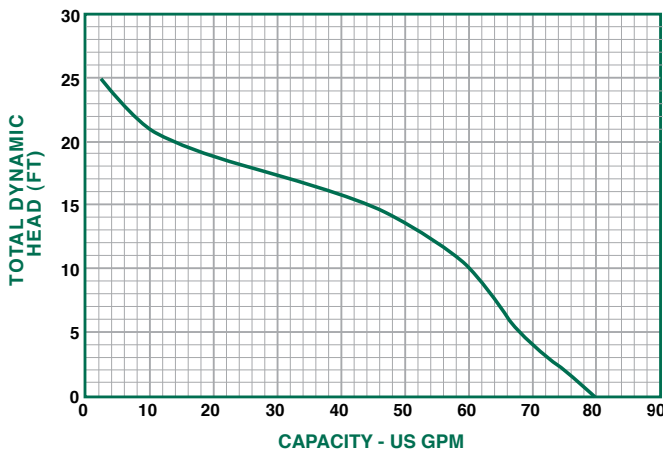
With a rugged cast iron construction design, this pump can handle up to 80 gallons per minute.

## FEATURES

- Split Capacitor Motor - 1/2 HP continuous duty, thermal protected
- Lifts water up to 25' of vertical height
- 10' power cord
- Large 2" discharge for high capacity pumping
- Easily handles 2" solids
- Cast aluminum, non-clogging Vortex impeller
- Also available without a switch

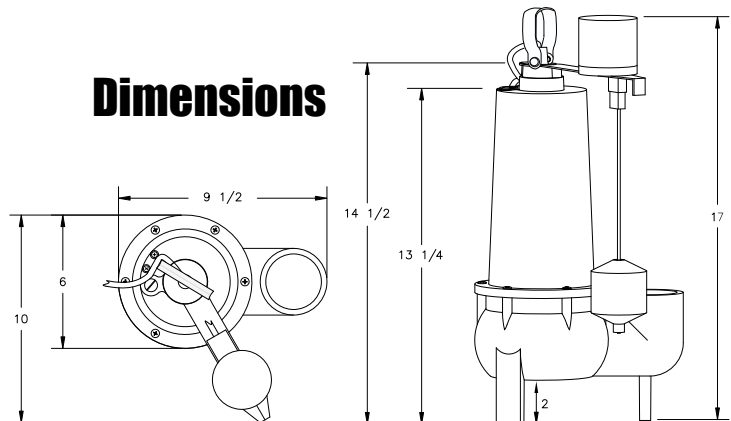


## Sewage Pump Performance Curve



PERFORMANCE CHART						
MODEL	GALLONS PER MINUTE IN FEET					
	0	5	10	15	20	25
5050CUSJ	80	68	60	44	13	2
5050CVSJ	80	68	60	44	13	2

## Dimensions



## SUBMERSIBLE CAST IRON SEWAGE PUMP - 2" DISCHARGE

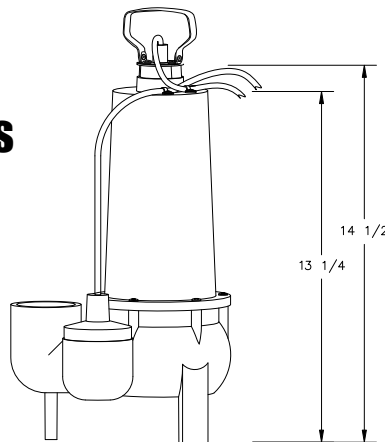
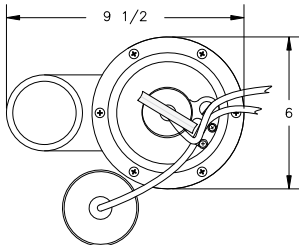
Model	HP	Volts	Hz	Amps	Construction	Discharge Size	Cord Length	Solids Handling	RPM	Phase
5050CUSJ (No switch)	1/2	120	60	7.6	Cast Iron	2"	10'	2"	3450	1
5050CVSJ	1/2	120	60	7.6	Cast Iron	2"	10'	2"	3450	1

# 5050CTSJ 5050CTSJ25



See Pumps & Accessories Price List for Limited Warranty details.

## Dimensions

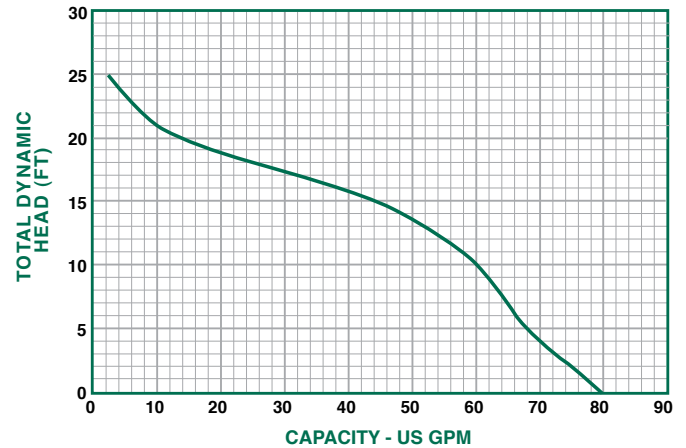


With a rugged cast iron construction design, this pump can handle up to 80 gallons per minute.

### FEATURES

- Split Capacitor Motor - 1/2 HP continuous duty, thermal protected
- Lifts water up to 25' of vertical height
- 10' power cord
- Large 2" discharge for high capacity pumping
- Easily handles 2" solids
- Cast aluminum, non-clogging Vortex impeller

## Sewage Pump Performance Curve



### PERFORMANCE CHART

MODEL	GALLONS PER MINUTE IN FEET					
	0	5	10	15	20	25
5050CTSJ	80	68	60	44	13	2
5050CTSJ25						

### SUBMERSIBLE CAST IRON SEWAGE PUMP - 2" DISCHARGE

Model	HP	Volts	Hz	Amps	Construction	Discharge Size	Cord Length	Solids Handling	RPM	Phase
5050CTSJ	1/2	120	60	7.6	Cast Iron	2"	10'	2"	3450	1
5050CTSJ25	1/2	120	60	7.6	Cast Iron	2"	25'	2"	3450	1

# 5050CTSJPAC

This pre-assembled simplex sewage package is designed to be used in any residential sewage application with its 30 gallon capacity & 2" solids handling. With a 2" discharge pipe connected to the sewage pump its ready to install.

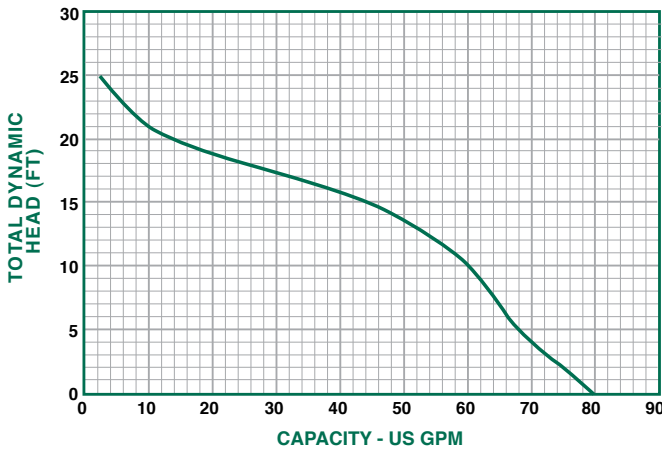
## FEATURES

- 5050CTSJ 1/2 HP sewage pump with tethered switch
- 18" structural foam cover with gasket kit
- 18" x 30" durable structural foam sewage basin with 4" inlet
- 2" Full Flow Check Valve with Rubber Boots
- 4" Snap-In-Hub with stainless steel clamp
- Stainless steel fasteners for cover
- 30" Long 2" PVC stub pipe



See Pumps & Accessories Price List for Limited Warranty details.

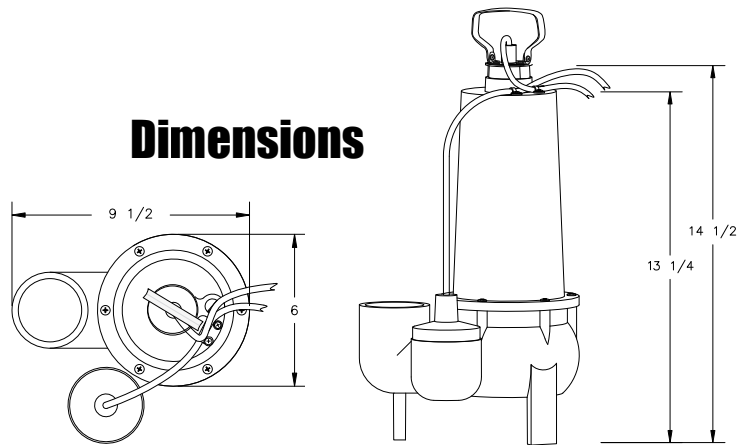
## Sewage Pump Performance Curve



### PERFORMANCE CHART

MODEL	GALLONS PER MINUTE IN FEET					
	0	5	10	15	20	25
5050CTSJ	80	68	60	44	13	2

## Dimensions



### SUBMERSIBLE CAST IRON SEWAGE PUMP - 2" DISCHARGE

Model	HP	Volts	Hz	Amps	Construction	Discharge Size	Cord Length	Solids Handling	RPM	Phase
5050CTSJ	1/2	120	60	7.6	Cast Iron	2"	10'	2"	3450	1

# 5050CTSJPACSDA

This pre-assembled simplex sewage package with side discharge and alarm is designed to be used in any residential sewage application with its 30 gallon capacity & 2" solids handling. With a 2" discharge pipe connected to the sewage pump its ready to install.

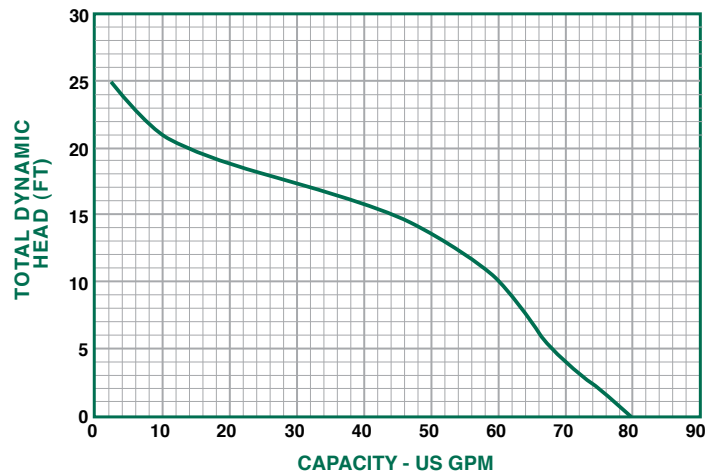
**FEATURES**

- 5050CTSJ25 1/2 HP sewage pump with tethered switch
- 18" structural foam cover with gasket kit
- 18" x 30" durable structural foam sewage basin with 4" inlet with "Snap-in Hub"
- 2" Full Flow Check Valve with Rubber Boots
- 4" Snap-In-Hub with stainless steel clamp
- Stainless steel fasteners for cover
- 30" Long 2" PVC stub pipe
- Automatic alarm reset, silence switch, and alarm test switch, alarm enclosure rated for outdoor use

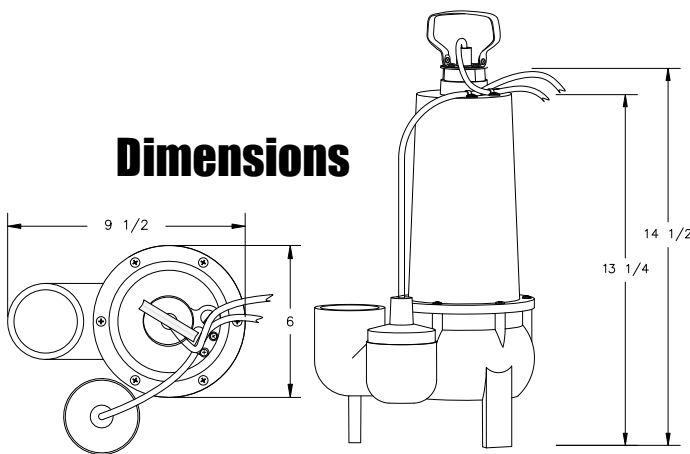


See Pumps & Accessories Price List for Limited Warranty details.

## Sewage Pump Performance Curve



## Dimensions



PERFORMANCE CHART						
MODEL	GALLONS PER MINUTE IN FEET					
	0	5	10	15	20	25
5050CTSJ25	80	68	60	44	13	2

### SUBMERSIBLE CAST IRON SEWAGE PUMP - 2" DISCHARGE

Model	HP	Volts	Hz	Amps	Construction	Discharge Size	Cord Length	Solids Handling	RPM	Phase
5050CTSJ25	1/2	120	60	7.6	Cast Iron	2"	25'	2"	3450	1

# 5050CTSJPAC24

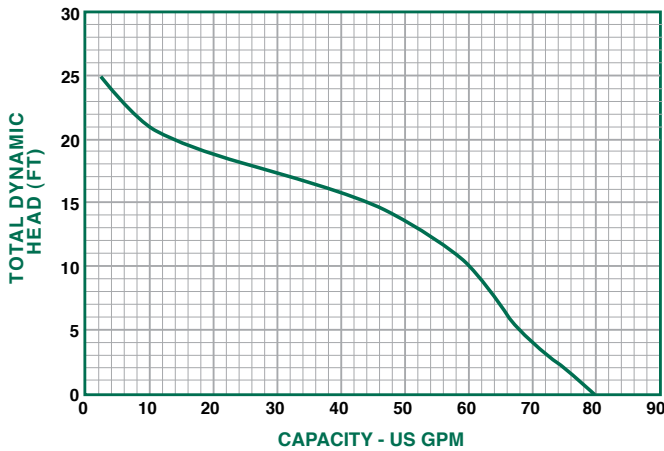
This pre-assembled 24" x 24" simplex sewage package is designed for use in any residential sewage application with its 45 gallon capacity.

## FEATURES

- 5050CTSJ 1/2 HP sewage pump with tethered switch
- 24" structural foam cover with gasket kit
- 24" x 24" durable structural foam sewage basin with 4" inlet
- 2" Full Flow Check Valve with Rubber Boots
- 4" Snap-In-Hub with stainless steel clamp

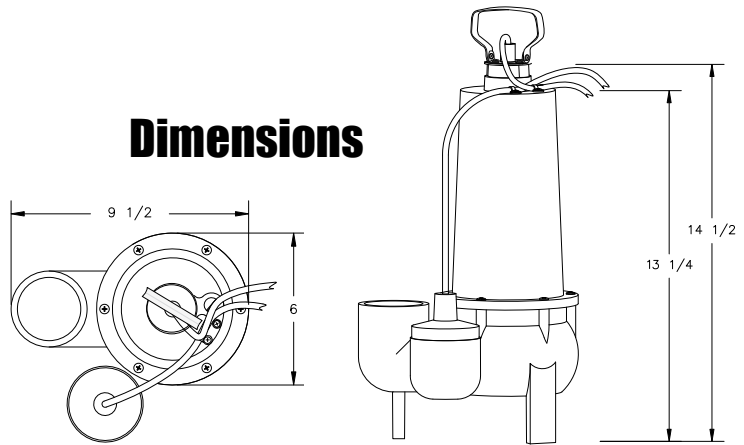


## Sewage Pump Performance Curve



See Pumps & Accessories Price List for Limited Warranty details.

## Dimensions



PERFORMANCE CHART						
MODEL	GALLONS PER MINUTE IN FEET					
	0	5	10	15	20	25
5050CTSJ	80	68	60	44	13	2

SUBMERSIBLE CAST IRON SEWAGE PUMP - 2" DISCHARGE										
Model	HP	Volts	Hz	Amps	Construction	Discharge Size	Cord Length	Solids Handling	RPM	Phase
5050CTSJ	1/2	120	60	7.6	Cast Iron	2"	10'	2"	3450	1



# 5050CTSJPACSL



**3  
YEAR  
LIMITED  
WARRANTY**

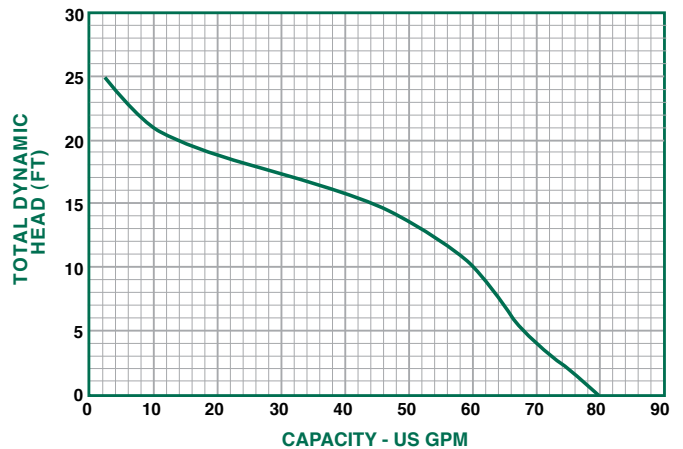
See Pumps & Accessories Price List for Limited Warranty details.

This pre-assembled simplex sewage package is designed to be used in any residential sewage application with its 30 gallon capacity & 2" solids handling. With a 2" discharge pipe connected to the sewage pump its ready to install. Special feature is the split lid for easy access to pump without disturbing discharge pipe.

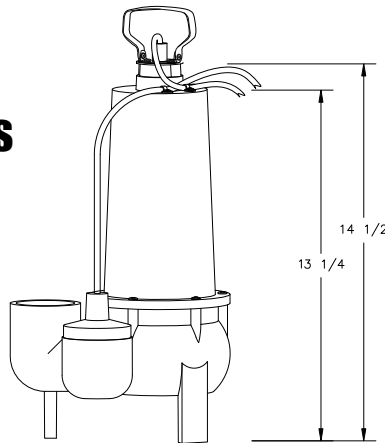
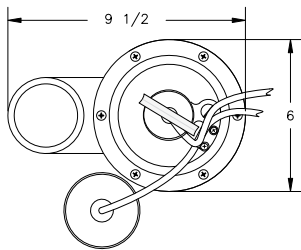
**FEATURES**

- 5050CTSJ 1/2 HP Cast iron sewage ejector
- 18" x 30" durable structural foam sewage basin with 4" inlet
- 2" Full flow check valve with rubber boots
- 4" Snap-In-Hub with stainless steel clamp
- 18" structural foam split lid cover with inspection port & gasket kit
- Stainless steel fasteners for cover
- 30" Long 2" PVC stub pipe

**Sewage Pump Performance Curve**



**Dimensions**



PERFORMANCE CHART						
MODEL	GALLONS PER MINUTE IN FEET					
	0	5	10	15	20	25
5050CTSJ	80	68	60	44	13	2

**SUBMERSIBLE CAST IRON SEWAGE PUMP - 2" DISCHARGE**

Model	HP	Volts	Hz	Amps	Construction	Discharge Size	Cord Length	Solids Handling	RPM	Phase
5050CTSJ	1/2	120	60	7.6	Cast Iron	2"	10'	2"	3450	1

**A.Y. McDONALD MFG. CO.**

# 5030CVSPBUSS

The side by side kit with primary and battery backup sump pump comes assembled complete with PVC pipe fittings and two check valves. The top outlet discharge is 1 1/2" PVC slip. Easily fits into standard sump basins with minimum diameter of 15".



See Pumps & Accessories Price List for Limited Warranty details.



Battery not included

## FEATURES

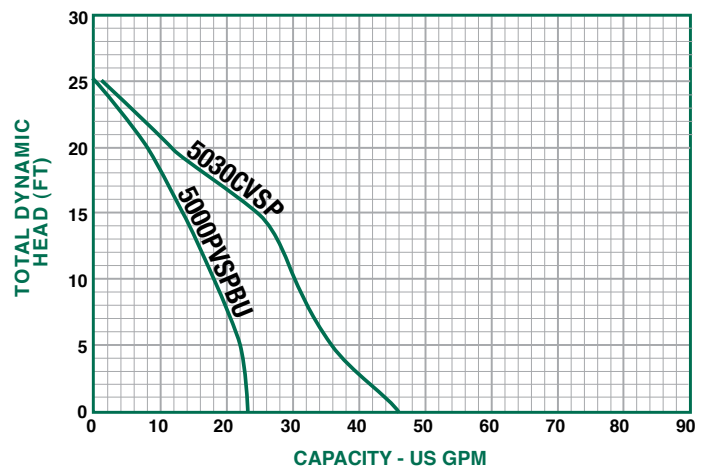
### PRIMARY PUMP

- 5030CVSP 3/10 HP 120V AC (4.1 amps)
- Built-in thermal overload protection for safety
- Permanent split capacitor continuous duty motor
- Tough cast iron construction
- Vertical float switch for trouble free operation
- Handles up to 3/8" solids
- Pumps up to 46 gallons per minute / 2,760 gallons per hour
- Clog resistant stainless steel impeller

### BACKUP PUMP

- 5000PVSPBU 12V, 23 GPM pump with vertical float switch
- Alarm/Control unit with fuse and mute feature
- Thermoplastic battery box
- Hardware included
- AC charger with power cord
- Battery not included

## Sump Pump Performance Curve



### PERFORMANCE CHART

MODEL	Gallons per minute at Listed Discharge Height					
	0	5	10	15	20	25
5000PVSPBU	23	22	18	13	8	0
5030CVSP	46	36	30	25	12	1

### SUMP PUMP W/BATTERY BACKUP DC SIDE X SIDE

Model	HP	Amps	Base Material	Discharge Size	Discharge Type	Switch Type	Cord Length	Solids Handling
5000PVSPBU	DC	12	Thermoplastic	1 1/4" - 1 1/2"	Top	Vertical	10'	1/8"
5030CVSP	3/10	4.1	Cast Iron	1 1/2"	Side	Vertical	10'	3/8"

# 5033CVSPBUSS



See Pumps & Accessories Price List for Limited Warranty details.

Battery not included

The side by side kit with primary and battery backup sump pump comes assembled complete with PVC pipe fittings and two check valves. The top outlet discharge is 1 1/2" PVC slip. Easily fits into standard sump basins with minimum diameter of 15".

**FEATURES**

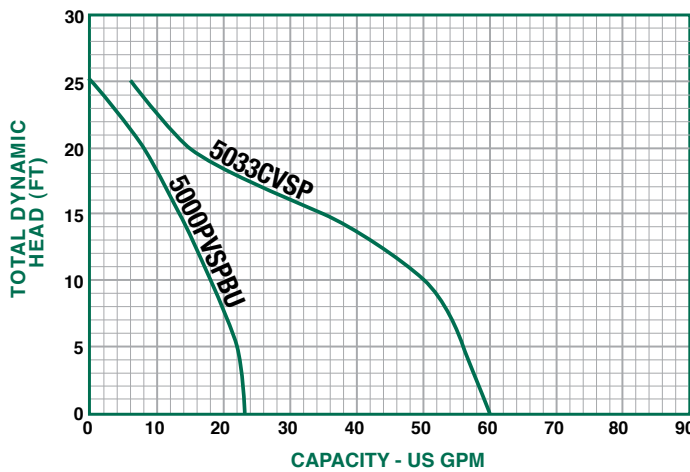
**PRIMARY PUMP**

- 5033CVSP 1/3 HP 120V AC (7.6 amps)
- Built-in thermal overload protection for safety
- Permanent split capacitor continuous duty motor
- Tough cast iron construction
- Vertical float switch for trouble free operation
- Handles up to 1/2" solids
- Pumps up to 60 gallons per minute / 3,600 gallons per hour
- Polyac impeller with aluminum insert

**BACKUP PUMP**

- 5000PVSPBU 12V, 23 GPM pump with vertical float switch
- Alarm/Control unit with fuse and mute feature
- Thermoplastic battery box
- Hardware included
- AC charger with power cord
- Battery not included

## Sump Pump Performance Curve



**PERFORMANCE CHART**

MODEL	Gallons per minute at Listed Discharge Height					
	0	5	10	15	20	25
5000PVSPBU	23	22	18	13	8	0
5033CVSP	60	56	50	35	15	6

**SUMP PUMP W/BATTERY BACKUP DC SIDE X SIDE**

Model	HP	Amps	Base Material	Discharge Size	Discharge Type	Switch Type	Cord Length	Solids Handling
5000PVSPBU	DC	12	Thermoplastic	1 1/4" - 1 1/2"	Top	Vertical	10'	1/8"
5033CVSP	1/3	7.6	Cast Iron	1 1/2"	Side	Vertical	10'	1/2"

**A.Y. McDONALD MFG. CO.**

# 5000PVSPBU

This battery backup system is designed to provide temporary back-up during power failures or malfunctions with your primary electric sump pump. It works with 12 volt, deep cycle marine battery, which is not included.

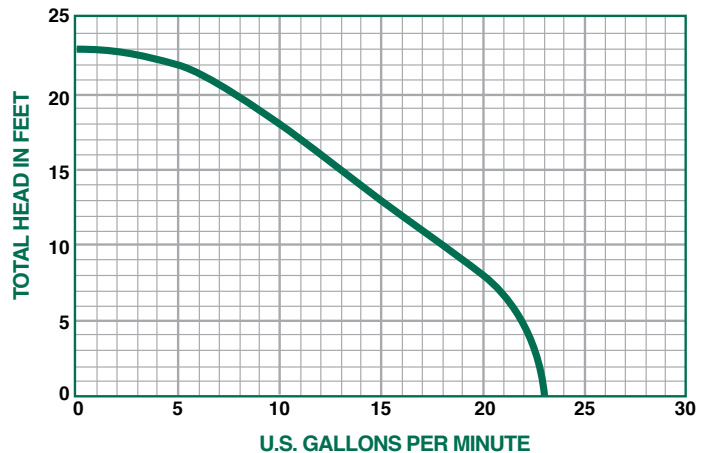
## FEATURES

- 5000PVSPBU 12V DC Thermoplastic sump pump
- Vertical switch and 10' Cord
- 1 1/4" or 1 1/2" Discharge (pump discharge 1 1/4", w/check valve 1 1/2")
- Alarm/Control unit with fuse and mute feature
- Thermoplastic battery box



See Pumps & Accessories Price List for Limited Warranty details.

## Sump Pump Performance Curve



PERFORMANCE CHART						
MODEL	GALLONS PER MINUTE IN FEET					
	0	5	10	15	20	25
5000PVSPBU	23	22	18	13	8	0

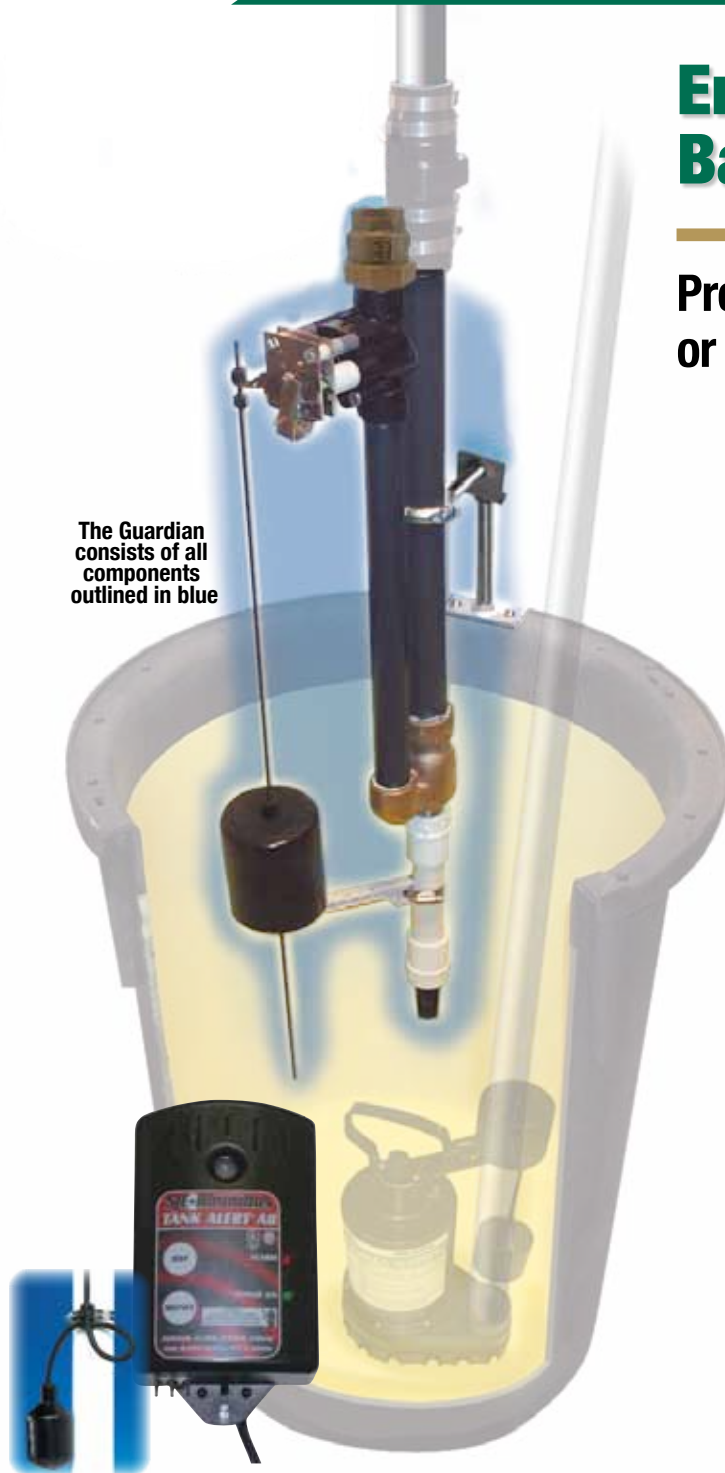
SUBMERSIBLE THERMOPLASTIC SUMP PUMP - 1 1/2" DISCHARGE								
Model	Volts	Hz	Amps	Construction	Discharge Size	Cord Length	Solids Handling	Phase
5000PVSPBU	12V DC	60	12	Thermoplastic	1 1/4" or 1 1/2"	10'	1/8	1

# **GUARDIAN® 747H20**

## **Emergency Water Powered Back Up Sump Pump**

**Protect your property during power outages or sump pump failure.**

The Guardian consists of all components outlined in blue



### **APPLICATIONS**

Designed for ground water, sump crocks in homes, motels, and hotels, schools, hospitals, industrial buildings, computer, and record storage rooms.

### **FEATURES**

- Made in the USA
- Patented activation valve for Positive ON, Positive OFF
- Designed for intermittent or continuous use
- Supplied with single check valve for your convenience
- Made with high quality brass and PVC materials for corrosion resistance
- McDonald Hydro Drive optimizes performance
- Designed for de-watering
- Discharge size 1 1/4" PVC Sch. 80 (IPS)
- 3/4" FNPT inlet
- Minimum pressure 29 PSI, maximum 90 PSI
- Minimum water temperature 32°F.

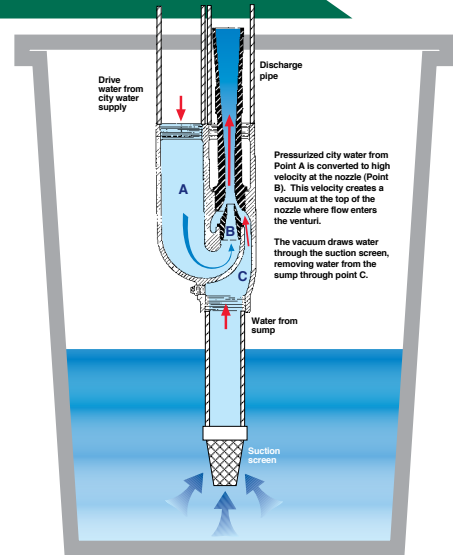
### **Tank Alert Liquid Level Alarm - 747H20A / 747H20RRA**

Tank Alert AB (6190-137 - 120V, Nema1 enclosure - with mechanical switch, 15' pipe clamp mount, normally open, SignalMaster® float, high water alarm

# 747H20



Inlet Pressure (PSI)	Performance in GPH							No Water Removed No Flow At:
	FEET of LIFT							
	5'	7'	9'	12'	15'	18'	21'	
30	480	420	360	228	192	0	0	18'
40	672	594	558	468	396	324	246	26'
60	750	750	750	750	750	750	750	40'



747H20-0001\*\*



747H20-0002\*\*

### BACKFLOW OPTIONS

ORDER MODEL	747H20-0001**	747H20-0002**
BACKFLOW PROVIDED	3/4" Reduced pressure assembly	3/4" Pressure vacuum breaker assembly
ASSE STANDARD	1013	1020
OTHER APPROVALS	Approved by the Foundation for Cross-Connection Control and Hydraulic Research at the University of Southern California	Approved by the Foundation for Cross-Connection Control and Hydraulic Research at the University of Southern California

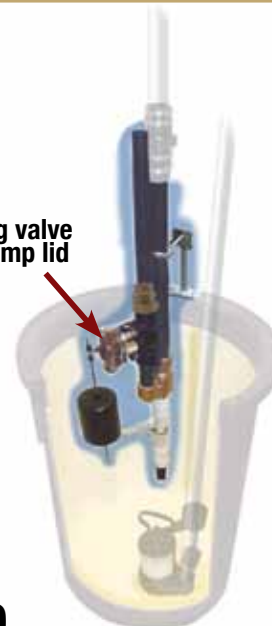
\*\*Where required by code

# 747H20RR

## Radon Ready

Allows operating valve to be installed under cover for application where sump lid must be sealed.

Operating valve below sump lid



## 5000BLK

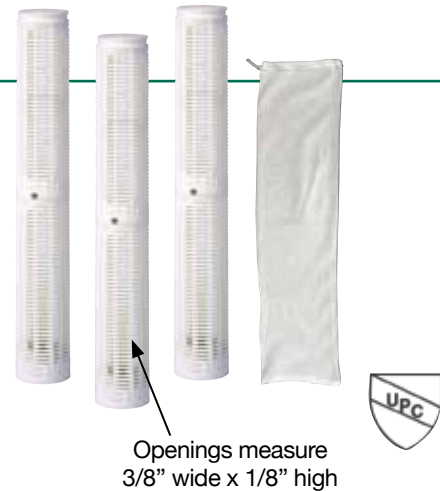
- Use instead of bricks to raise pump off bottom of basin
- Mounts to pump base to prevent clogging
- Made from durable ABS
- Helps prevent switch malfunction
- Fits all Duramac Submersible pumps (excludes sewage pumps)



## FILTERS

### 5000LS, 5000LS KIT 5000LS BAG

- Made from durable PVC
- Handles up to 160 gpm without the bag
- 2" MNPT or FNPT threaded outlet
- Optional filter bag prevents clogging
- Easy to clean



## IMPELLERS



**Polyac Impeller with Aluminum Insert**

USED IN MODEL #  
5033CVSP  
5050CVSP  
5033CVSPEZ



**Cast Aluminum Vortex Impeller**

USED IN MODEL #  
5033CUEF      5050CTSJ  
5050CTEF      5050CTSJPAC  
5050CUEF      5050CVEF  
5050CVSJ      5050CTSJPACSL



**Paddle-Style Impeller**

USED IN MODEL #  
5020PUUP  
5025PTSP  
5025PVSP



**Paddle-Style Impeller with Brass Insert**

USED IN MODEL #  
5033PVSP



**Stainless Steel Semi-Vortex Impeller**

USED IN MODEL #  
5030CVSP  
5030CVSPK  
5030CVSPCSK

## FLOATS



### VERTICAL 5000-V--10

Vertical Float Switch  
10' piggyback cord

### 5000-V--25

Vertical Float Switch  
25' piggyback cord



### TETHERED 5000-T--10

Tethered Float Switch  
10' piggyback cord

### 5000-T--25

Tethered Float Switch  
25' piggyback cord



[www.aymcdonald.com](http://www.aymcdonald.com)



A.Y. McDonald Mfg. Co. is a leading manufacturer of Waterworks Brass, Plumbing Valves, Pumps and Water Systems, and High Pressure Gas Valves and Meter Bars. The Company has distinguished itself with a proud tradition of quality and reliability since its founding in 1856.

### *Mission Statement*

The mission of A.Y. McDonald Mfg. Co., in the words of our founder, is "to make good products and sell them honestly." We, the stockholders and employees, accomplish this by extending the McDonald family culture through excellent customer service and by focusing on our customers' needs.



*Locations:* Albia, Iowa • Dubuque, Iowa • Elizabethton, TN • Sparks, NV

WARNING: // WARNING: // WARNING: // WARNING: // WARNING: // WARNING: //



**WARNING:** It is unlawful in **CALIFORNIA & VERMONT** (effective 1/1/2010); **MARYLAND** (effective 1/1/2012); **LOUISIANA** (effective 1/1/2013) and the **UNITED STATES OF AMERICA** (effective 1/4/2014) to use any product in the installation or repair of any public water system or any plumbing in a facility or system that provides water for human consumption if the wetted surface area of the product has a weighted average lead content greater than 0.25%. This prohibition does not extend to service saddles used in California, Louisiana or under USA Public Law 111-380.

WARNING: // WARNING: // WARNING: // WARNING: // WARNING: // WARNING: //

# A. Y. McDonald Mfg. Co.

800.292.2737 | FAX 800.832.9296 | [pumps@aymcdonald.com](mailto:pumps@aymcdonald.com) | [aymcdonald.com](http://aymcdonald.com)